

SPECIFICATIONS

MODEL NO.	CAPACITY COLD RIVET				STANDARD JAW						MOVING JAW				NET WEIGHT WITH FOOT CONTROL		
	Alum.		Steel		A Reach		B Gap		C Closed Height		Maximum Travel		Max. Force With 90 Pressure	Part of Stroke at Max. (Final)			
	in.	mm	in.	mm	in.	mm	in.	mm	in.	mm	in.	mm	pounds	in.	mm	lbs.	kg.
3000A - 1-1/2"	1/8	3.2	3/32	2.4	1-1/2	38	1-5/8	41	7/8	23	5/8	16	3000	1/16	1.6	25	11.3
3000A - 2-1/4"	1/8	3.2	3/32	2.4	2-1/4	57	2-1/8	54	1	23	7/8	23	2200	3/32	2.4	25	11.3
3000A - 3"	3/32	2.4	1/16	1.5	3	76	2-1/8	54	1	23	1-1/4	32	1800	1/8	3.2	26	11.7
3000A - 3-1/2"	3/32	1.58	1/16	1.5	3-1/2	89	2-1/8	54	1	23	1-1/8	28.5	1500	1/8	3.2	26	11.7

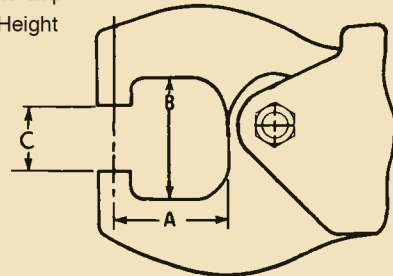
Shipping Weight = 32 LBS
Shipping Dimensions = 21"x16"x10"

PARTS NUMBERS

ITEM	PART NO.	DESCRIPTION	QUAN.
1	190,001	WASHER, THRUST, MAIN BEARING	2
2	040,007	ROLLER, MAIN BEARING, INNER	1
3	040,004	NEEDLE, ROLLER	35
4	*	(SEE JAWS PARTS LIST)	
5	*	(SEE JAWS PARTS LIST)	
6	080,003	GUARD, ROLLER	1
7	160,003	SCREW, ROLLER GUARD	1
8	040,005	ROLLER, OUTER	1
9	040,004	NEEDLE, BEARING	29
10	040,006	ROLLER, INNER	1
11	220,009	SHAFT, END ROLLER	1
12	190,012	WASHER, THRUST, .750 X .010	4
13	120,005	ASS'Y WEDGE ROLLER	2
13A	040,021	ROLLER, OUTER .750 X .470	2
13B	040,020	NEEDLE, ROLLER .0625 X .450	2 X 20
13C	220,002	SHAFT, ROLLER	1
14	120,024	ASS'Y WEDGE ROLLER COMPLETE	1
15	160,016	AHCS 3/8 - 16 X 3/4"	1
16	180,002	NUT, BEARING SHAFT	1
17	190,002	WASHER, BEARING BOLT	1
18	050,039	BOLT, BEARING SHAFT	1
19	220,006	SHAFT, BEARING REAR	1
20	230,001	C-RING, BEARING SHAFT REAR	2
21	200,005	SPRING, LEAF	1
22	005,000	HOUSING, CYLINDER, BARE	1
23	220,007	PIN, LEAF SPRING	1
24	200,001	SPRING, INNER "PISTON RETURN"	2
25	200,002	SPRING, OUTER "PISTON RETURN"	2
26	050,012	WEDGE	1
27	050,002	SPACER	1
28	220,005	PIN, FORK	1
29	050,005	FORK	1
30	120,001	ASS'Y, PISTON	1
31	140,000	LEATHER, PISTON CUP	1
32	190,000	PLATE, PISTON LEATHER, BACKUP	1
33	180,001	NUT, 3/8" X 24, SELF-LOCKING	1
34	100,000	GASKET, CYLINDER HEAD	1
35	150,011	"O" RING STAT CYL HEAD	1
36	030,003	CYLINDER HEAD	1
37	160,005	SCREW, A.H.C.S. 10-24 X 3/4"	6
38	050,045	SHAFT, CYLINDER HEAD ADJUSTMENT	1
39	180,005	NUT, 5/16" - 18 HEX	1
40	220,010	PIN, ROLL 3/32" X 1"	1
41	050,046	KNOB, STROKE ADJUSTMENT	1
42	141,033	FITTING, BRASS 1/4" NPT M TO F RT. ANGLE	1
43	141,005	FITTING, AIR INLET	1
44	051,002	ALUM. RT ANGLE MOUNT	1
45	051,000	MOUNTING BASE	1

ALLIGATOR NOMENCLATURE

- A Reach
- B Total Yoke Gap
- C Closed Height



PARTS NUMBERS

ITEM	PART NO.	DESCRIPTION	QUAN.
46	051,001	MAST, MOUNTING BASE	1
47	100,001	RUBBER RIBBED BASE	1
48	055,007	FOOT CONTROL BASE	1
49	055,006	FOOT CONTROL HOOD COVER	1
50	180,003	NUT, HEX LOCK 10-32	2
51	190,014	WASHER, PLAIN X 7/32"	2
52	141,050	VALVE, 3-WAY	1
53	100,010	HOSE, BLUE 7'	1
54	141,036	HOSE, CLAMP	2
55	141,001	COUPLER, QUICK DISCONNECT 1/4"	1
56	120,019	END ROLLER, COMPLETE	1
57	120,020	MAIN BEARING, COMPONENTS	1
58	160,012	SCREW, AH BUTTON 1/4 - 20 X 3/8"	4
59	160,011	AHCS 3/8 - 16 X 1 1/4"	2
60	FC-3	3 WAY FOOT CONTROL COMPLETE	1

JAW PARTS NUMBERS

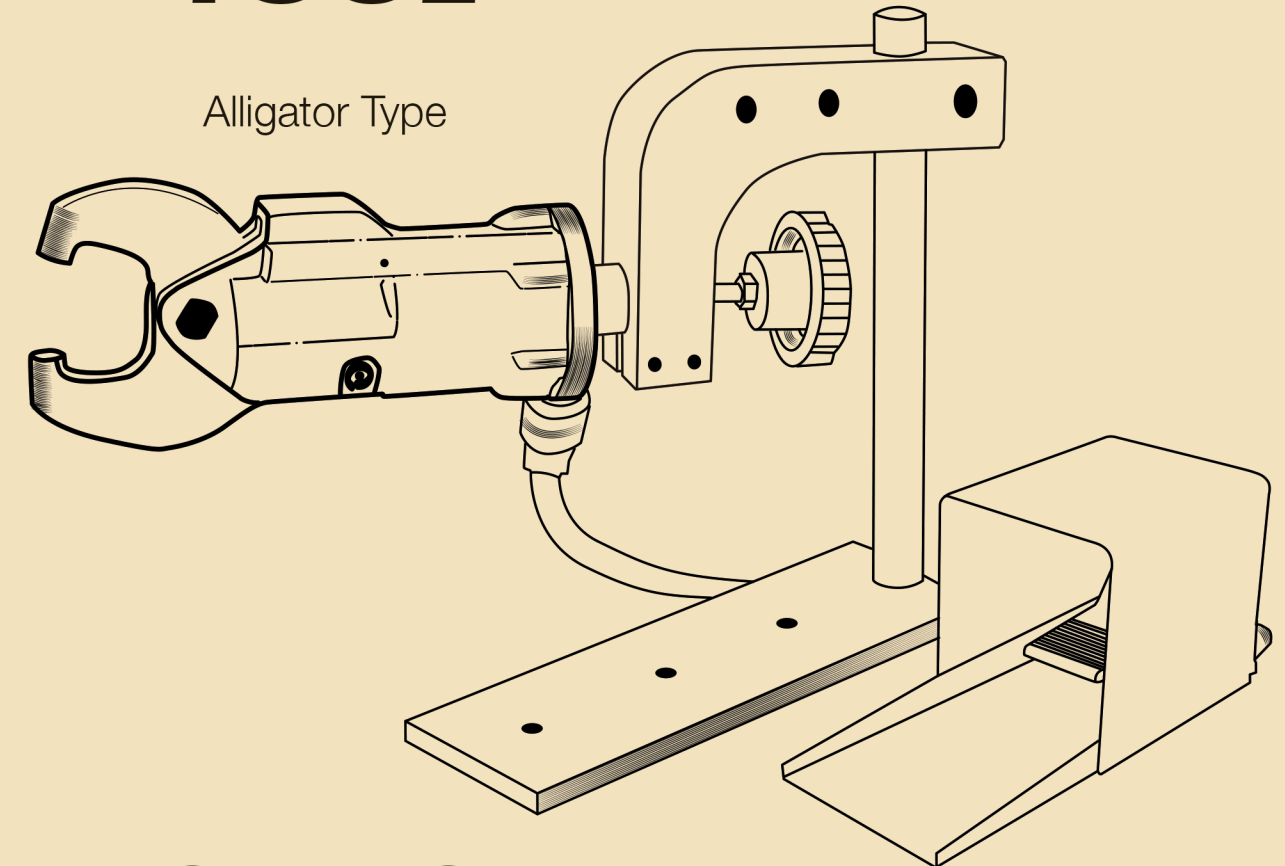
ITEM	PART NO.	DESCRIPTION	A REACH	D HOLE	QUAN.
4	275,001	JAW, MOVING	1-1/2"	3/16"	1
5	285,001	JAW, STATIONARY	1-1/2"	3/16"	1
4	275,002	JAW, MOVING	1-1/2"	1/4"	1
5	285,002	JAW, STATIONARY	1-1/2"	1/4"	1
4	275,003	JAW, MOVING	2-1/4"	3/16"	1
5	285,003	JAW, STATIONARY	2-1/4"	3/16"	1
4	275,004	JAW, MOVING	2-1/4"	1/4"	1
5	285,004	JAW, STATIONARY	2-1/4"	1/4"	1
4	275,005	JAW, MOVING	3"	3/16"	1
5	285,005	JAW, STATIONARY	3"	3/16"	1
4	275,006	JAW, MOVING	3"	1/4"	1
5	285,006	JAW, STATIONARY	3"	1/4"	1

GP TOOLS

HANDCRAFTED AMERICAN RIVETERS



Model 3000 AS COMPRESSION TOOL



BENCH MOUNTED

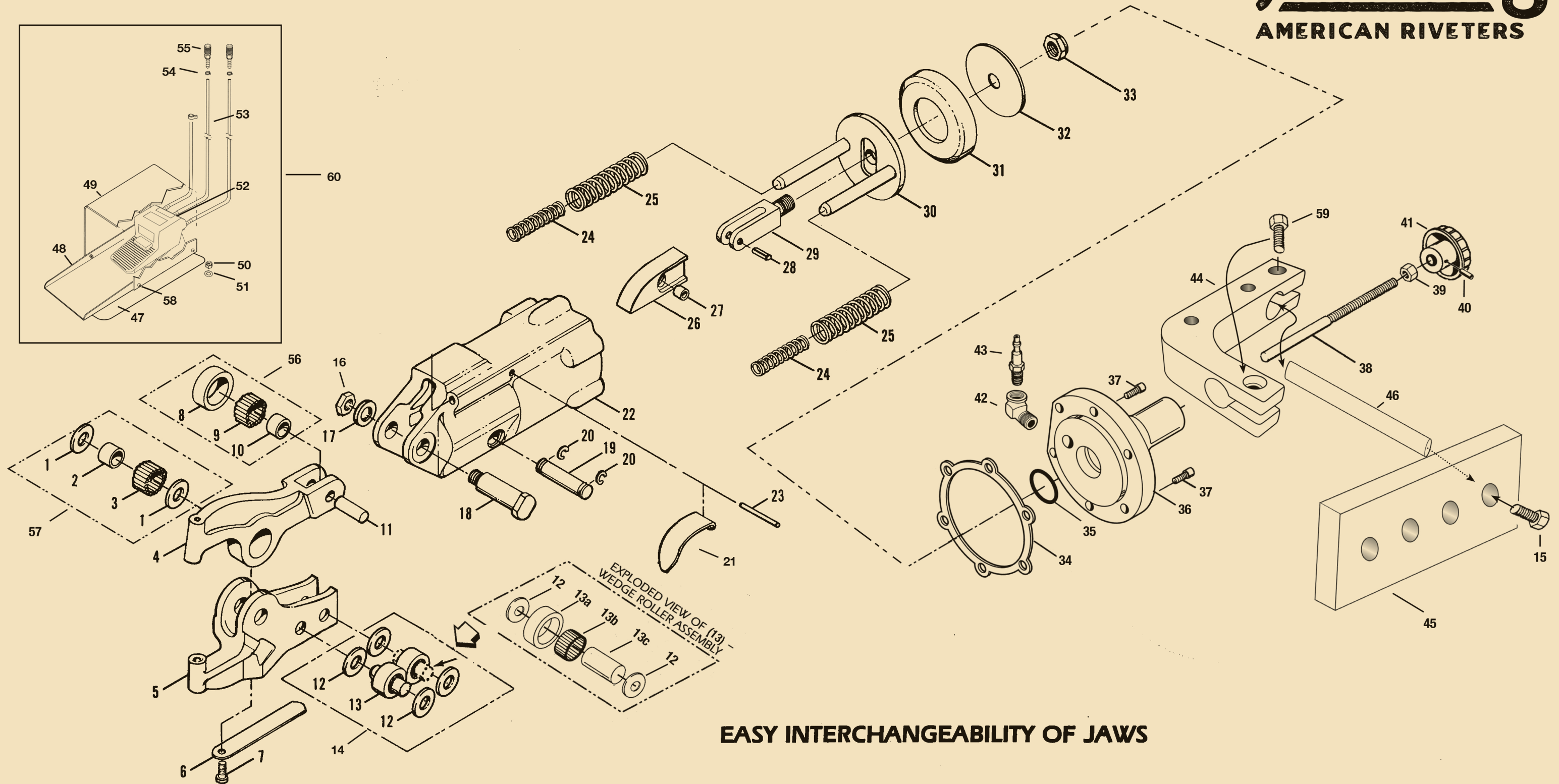
MANUFACTURING FACILITY
1900 Heyrend Way,
Idaho Falls, ID, 83402
208-773-8080

E-MAIL
info@gptools.com

WEBSITE
www.gptools.com

MODEL 3000 AS COMPRESSION TOOL

This GP Tools compression tool fills the requirements for a great variety of metal working operations either in shop or field. It operates on standard line air pressure (90 - 100 psi) (6.12 - 6.8 bar) and is conveniently operated by one hand or can be bench mounted with foot control (optional) thereby freeing both hands. Interchangeable jaws are available, see Jaws Parts List.



EASY INTERCHANGEABILITY OF JAWS