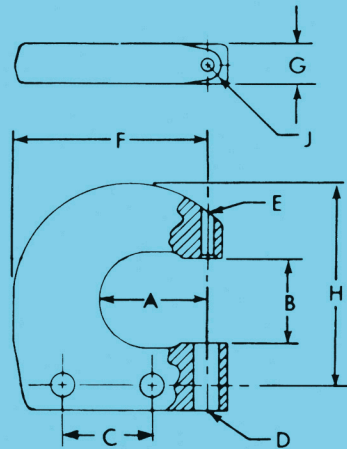


SPECIFICATIONS

MODEL NO.	CAPACITY GOLD RIVET				STANDARD "C" YOKE				Closed Height		SET HOLDER PLUNGER				NET WEIGHT WITH YOKE		LENGTH		
	Alum.		Steel		Reach		Gap				Maximum Travel	Max. Force With 90 P.S.I.	Part of Stroke at Max. Force (Final)						
	in.	mm	in.	mm	in.	mm	in.	mm	in.	mm	in.	mm	lbs.	kg.	in.	mm			
3000 C	1/8	3.2	3/32	2.4	1-1/2	38	1-1/4	32	11/16	17.5	9/16	14.3	3000	1/16	1.6	4-1/2	2.0	10-1/4	260

C-YOKE NOMENCLATURE

- A Reach
- B Gap
- C Center line between bolt mounting holes
- D Bottom set hole diameter
- E Top set hole diameter
- F Width of yoke from set hole center to end of yoke
- G Thickness of yoke
- H Height of yoke from bolt hole center to top of yoke



***STANDARD C-YOKE TYPES**

Yoke Part No.	A	B	C	D	E	F	G	H	J
060,000	1-1/2	1-1/4	1-5/16	3/8	3/16	3	9/16	3-3/8	3/16
060,001	2	1-1/4	1-5/16	3/8	3/16	3-9/16	9/16	3-11/16	7/32
060,002	2-1/2	1-3/8	1-5/16	3/8	3/16	4-5/8	9/16	9-1/4	7/32
060,004	3	1-1/2	1-5/16	3/8	3/16	5-1/4	1	4-3/4	1/4
060,005	3-1/2	1-1/2	1-5/16	3/8	3/16	6-1/16	1	5	1/4

PARTS NUMBERS

ITEM	PART NO.	DESCRIPTION	QUAN.
1	060,000	YOKE, STANDARD 1-1/2"	1
2	200,000	SPRING, SET HOLDER	1
3	050,050	SET HOLDER, STANDARD	1
4	180,000	NUT, YOKE BOLT	2
5	050,011	YOKE, PLATE	2
6	080,000	WEDGE, GUIDE	2
7	120,000	ASS'Y, PLATE ROLLER	2
7a	190,004	THRUST WASHER	4
7b	040,000	BEARING, RACE	2
7c	220,002	SHAFT, ROLLER	2
7d	040,004	NEEDLE ROLLERS	40
8	120,010	ASS'Y, PLATE ROLLER COMPLETE	1
9	170,000	BOLT, YOKE	2
10	050,034	SET LEVER	1
11	220,001	SHAFT, LEVER BEARING	1
12	120,002	ASS'Y LEVER BEARING	1
12A	040,002	OUTER ROLLER	1
12B	040,001	INNER ROLLER	1
12C	040,003	NEEDLE ROLLERS	25
13	120,011	ASS'Y LEVER COMPLETE	1
14	110,000	THROTTLE LEVER	1
15	160,001	SCREW, LEVER SHAFT	1
16	050,009	WASHER, SHAFT	1
17	160,003	SCREW, ROLLER GUARD	1
18	080,002	ROLLER GUARD	1
19	050,010	SPACER, GUARD BLOCK	1
20	220,004	SHAFT, LEVER, ECCENTRIC	1
21	050,008	PIN, SPACER BLOCK	1
22	003,000	HOUSING, CYLINDER, BARE	1

ITEM	PART NO.	DESCRIPTION	QUAN.
23	2000,001	SPRING, INNER	2
24	200,002	SPRING, OUTER	2
25	050,029	WEDGE	1
26	050,002	SPACER	1
27	220,000	PIN, FORK	1
28	050,005	FORK	1
29	120,001	ASS'Y, PISTON	1
30	140,000	LEATHER, PISTON CUP	1
31	190,000	PLATE, PISTON LEATHER	1
32	180,001	NUT 3/8" X 24 SELF-LOCKING	1
33	100,000	GASKET, CYLINDER HEAD	1
35	160,002	SCREW, LEVER ARM	1
36	090,000	LEVER ARM	1
37	200,003	SPRING, THROTTLE LEVER	1
38	160,000	SCREW, CYLINDER HEAD	6
39	050,014	VALVE	1
40	150,000	"O" RING, VALVE	1
41	200,004	SPRING VALVE	1
42	150,010	"O" RING, BUSHING	1
43	050,036	BUSHING, VALVE SAFETY	1
44	030,001	CYLINDER HEAD, BARE	1
45	120,012	ASS'Y, CYLINDER HEAD, SAFETY	1
46	150,001	"O" RING, SWIVEL BOLT	1
47	050,031	SWIVEL	1
48	150,002	"O" RING, SWIVEL NUT	1
49	050,015	NUT, SWIVEL	1
50	050,030	ELBOW, INLET 1/4" PIPE	1
51	120,007	ASS'Y SWIVEL	1

GP TOOLS

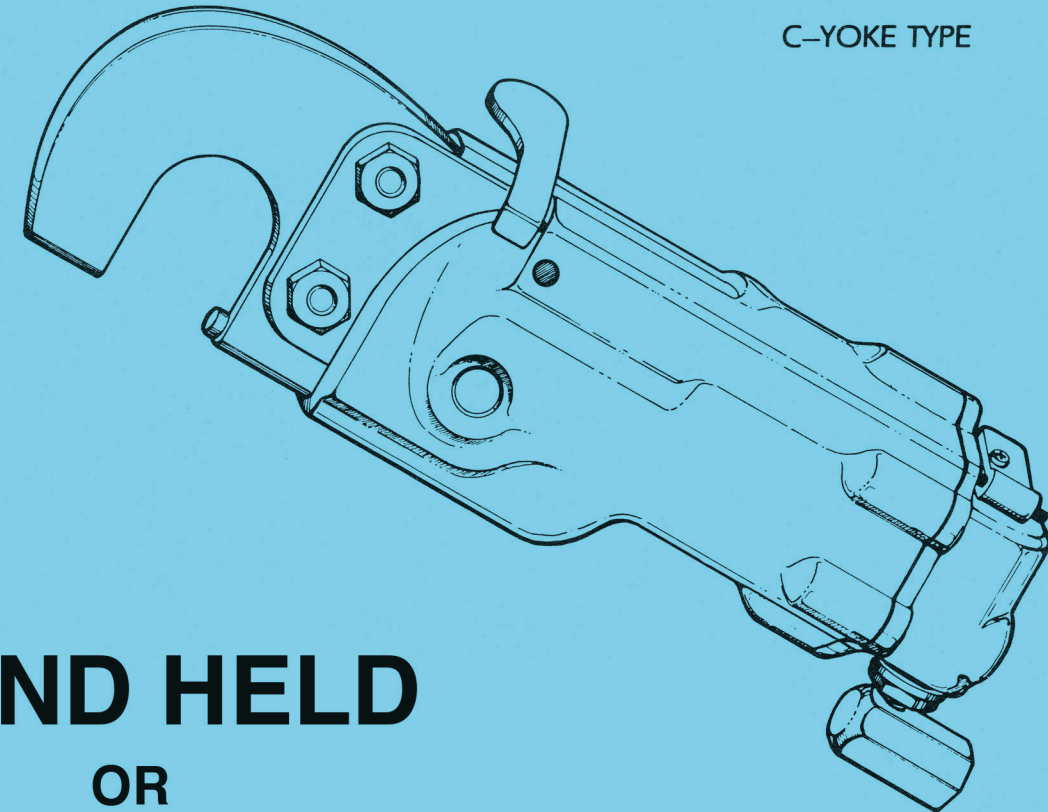
HANDCRAFTED AMERICAN RIVETERS



MODEL 3000 C

COMPRESSION TOOL

C-YOKE TYPE



HAND HELD OR BENCH MOUNTED

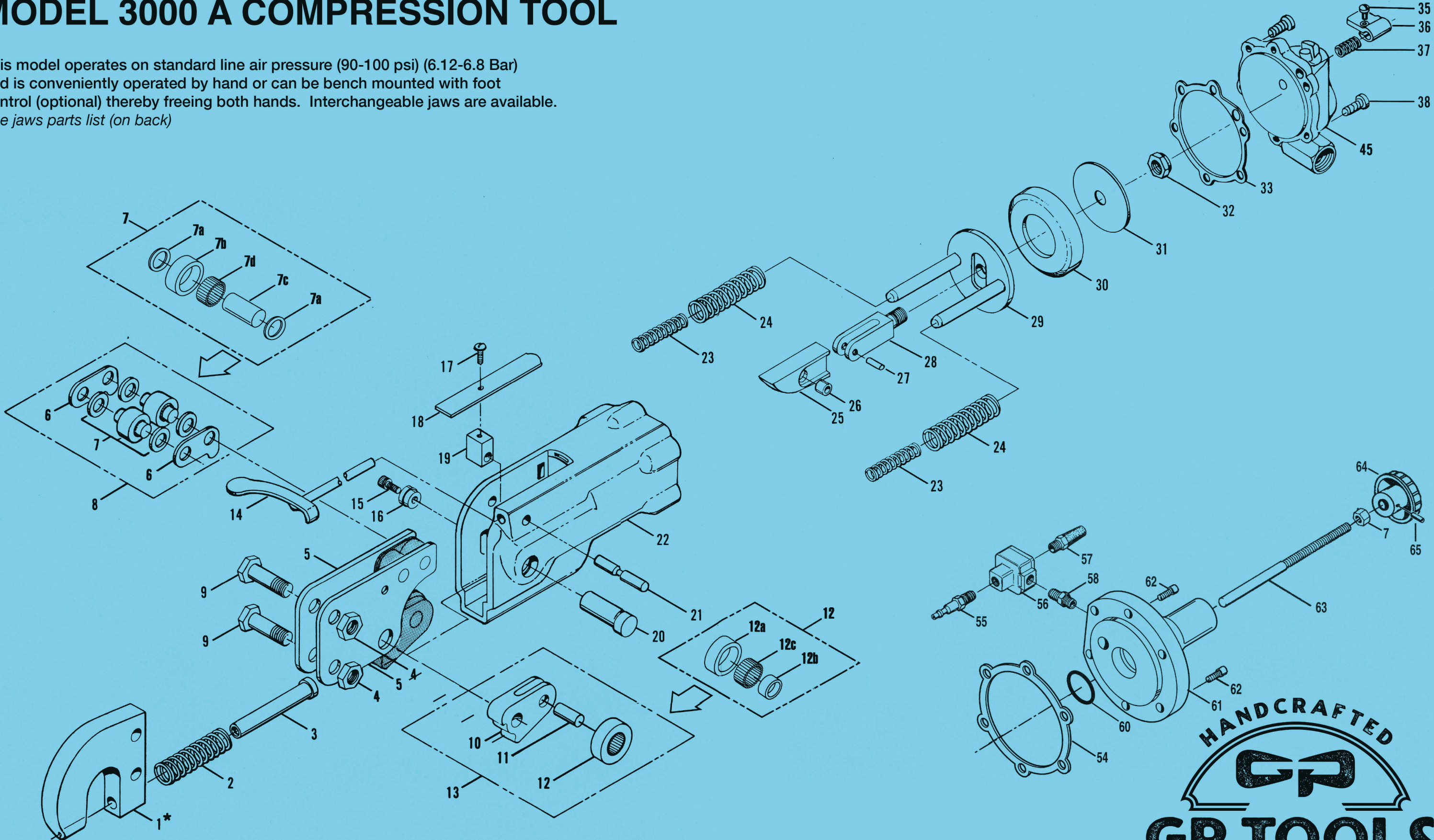
MANUFACTURING FACILITY
 1900 Heyrend Way,
 Idaho Falls, ID, 83402
 208-773-8080

E-MAIL
 info@gptools.com

WEBSITE
 www.gptools.com

MODEL 3000 A COMPRESSION TOOL

This model operates on standard line air pressure (90-100 psi) (6.12-6.8 Bar) and is conveniently operated by hand or can be bench mounted with foot control (optional) thereby freeing both hands. Interchangeable jaws are available. See jaws parts list (on back)



EASY INTERCHANGEABILITY OF YOKES AND TOOLING

