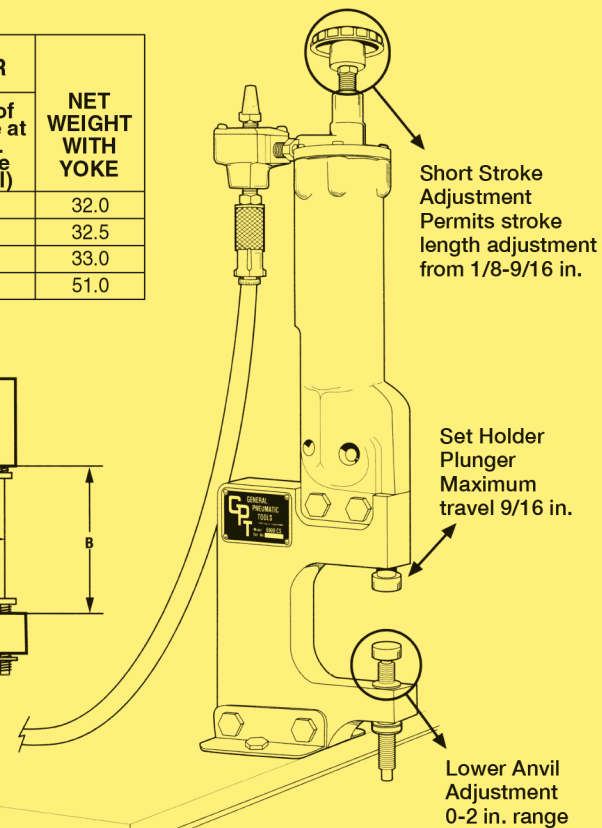
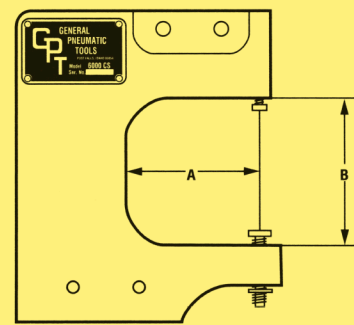


SPECIFICATIONS

MODEL NO. 6000 CS	CAPACITY COLD RIVET		STANDARD "C" YOKE		Closed Height	SET HOLDER PLUNGER			NET WEIGHT WITH YOKE
	Alum.	Steel	A Reach	B Gap		Maximum Travel	Max. Force With 90 P.S.I.	Part of Stroke at Max. Force (Final)	
060,010	3/16	5/32	3	3-1/4	Adj	9/16	6000	1/16	32.0
060,011	3/16	5/32	3	4-1/4	Adj	9/16	6000	1/16	32.5
060,012	3/16	5/32	3	5-1/4	Adj	9/16	6000	1/16	33.0
060,013	3/16	5/32	6	3-1/2	Adj	9/16	6000	1/16	51.0



PARTS NUMBERS

ITEM	PART NO.	DESCRIPTION	QUAN.
1	120,017	ASS'Y, FOOT CONTROL 3-WAY COMPLETE	1
2	141,001	COUPLER, QUICK DISCONNECT 1/4"	1
3	141,002	CLAMP, HOSE 1/4"	2
4	141,033	FITTING, BRASS 1/4" NPT M TO F RT. ANGLE	2
5	120,040	HOUSING, FOOT VALVE	1
6	141,050	VALVE, 3-WAY	1
7	180,005	NUT, 5/16"-18 HEX	5
8	260,005	TAG, ID WITH SN	2
9	190,005	WASHER, PLAIN 5/16"	6
10	050,047	BRACKET, YOKE MOUNTING	2
11	060,010	YOKE, STATIONARY (SEE YOKE DATA TABLE)	1
12	170,005	BOLT, HEX MTG 5/16" - 18 X 2-1/2"	2
13	220,013	PIN, TWIST DRIVE ID PLATE MTG.	8
14	130,000	RING, LOCKING, KNURLED	1
15	050,048	MANDREL, THREADED 1/2"-20 X 4-1/2"	1
16	050,049	BUSHING, THREADED 1/2"-20	1
17	201,009	SPRING, SET HOLDER 7/16" ID.	1
18	050,093	SET HOLDER 3/16" X 7/16" X 4-1/16"	1
19	180,000	NUT, YOKE BOLT, 3/8"-24	2
20	050,011	PLATE, YOKE	2
21	080,000	GUIDE, WEDGE	2
22	120,000	ASS'Y PLATE ROLLER	2
22a	190,004	WASHER, THRUST	4
22b	040,000	RACE, BEARING	2
22c	220,002	ROLLER, SHAFT	2
22d	040,004	ROLLER, NEEDLE	40
23	120,010	ASS'Y PLATE ROLLER COMPLETE	1
24	170,000	BOLT, YOKE SPECIAL	2
25	050,034	LEVER, SET	1
26	220,001	SHAFT, LEVER BEARING	1
27	120,002	ASS'Y LEVER BEARING	1
27a	040,002	RACE, OUTER LEVER BEARING	1
27b	040,001	RACE, INNER LEVER BEARING	1
27c	040,003	ROLLER, NEEDLE	25
28	120,011	ASS'Y LEVER COMPLETE	1
29	160,001	SCREW, LEVER SHAFT	1

ITEM	PART NO.	DESCRIPTION	QUAN.
30	050,009	WASHER, SHAFT	1
31	160,003	SCREW, ROLLER GUARD	1
32	080,002	GUARD, ROLLER	1
33	050,010	SPACER, GUARD BLOCK	1
34	220,004	SHAFT, LEVER, ECCENTRIC HEAD	1
35	050,008	PIN, SPACER BLOCK	1
36	003,000	HOUSING, CYLINDER BARE	1
37	200,001	SPRING, INNER	2
38	200,002	SPRING, OUTER	2
39	050,033	WEDGE	1
40	220,005	PIN, FORK	1
41	050,006	FORK	1
42	120,001	ASS'Y PISTON	1
43	140,000	LEATHER, PISTON CUP	2
44	190,000	PLATE, PISTON LEATHER	2
45	050,028	SHAFT, PISTON	1
46	230,000	SNAP RECORD	2
47	150,003	"O" RING, SPACER, INNER	1
48	050,013	SPACER, CYLINDER	1
49	150,004	"O" RING, SPACER, OUTER	1
50	050,038	PISTON, REAR	1
51			
52			
53	180,001	NUT, 3/8"-24 SELF LOCKING	1
54	100,000	GASKET, CYLINDER HEAD	1
55	141,005	FITTING, AIR INLET	1
56	141,006	VALVE, QUICK EXHAUST 1/4" NPT	1
57	141,007	MUFFLER, EXHAUST 1/4" NPT	2
58	141,008	NIPPLE, 1/4" NPT	1
59	120,025	STATIONARY CYLINDER HEAD COMPLETE	1
60	150,001	"O" RING	1
61	030,003	CYLINDER HEAD	1
62	160,005	SCREW, A.H.C.S. 10-24 X 3/4"	6
63	050,045	SHAFT, CYLINDER HEAD ADJUSTMENT	1
64	050,046	KNOB, STROKE ADJUST	1
65	220,010	PIN, ROLL 3/32" X 1"	1

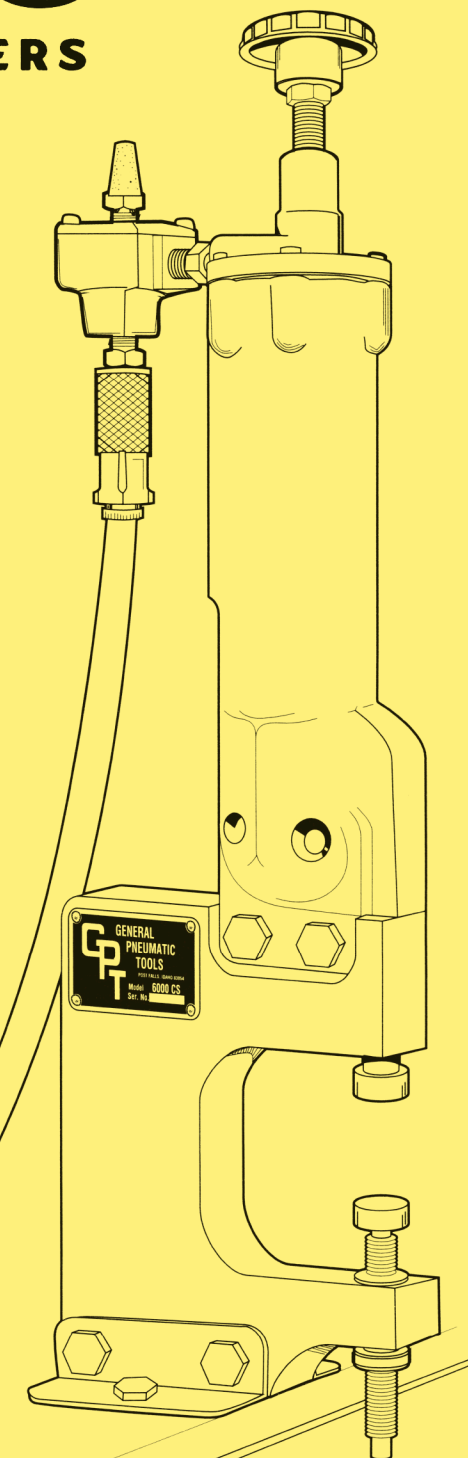
GP TOOLS

HANDCRAFTED AMERICAN RIVETERS



MODEL 6000 CS COMPRESSION TOOL

BENCH MOUNTED FOOT OPERATED

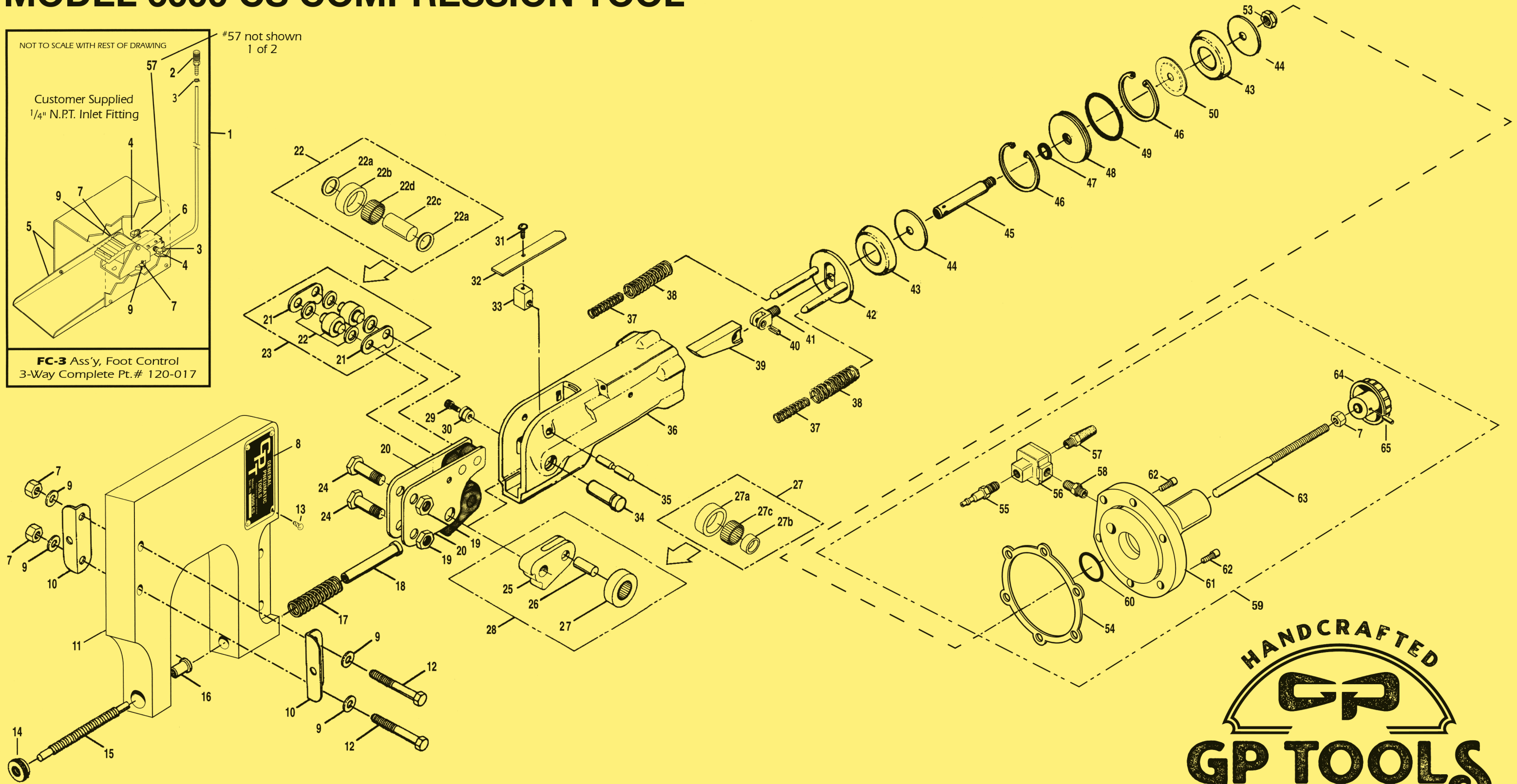
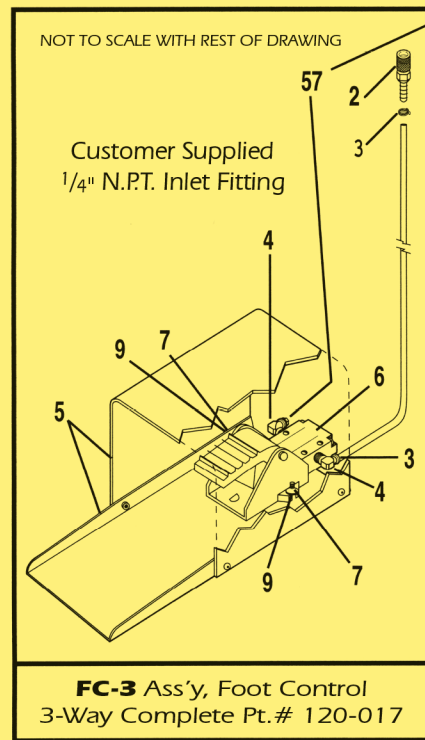


MANUFACTURING FACILITY
1900 Heyrend Way,
Idaho Falls, ID, 83402
208-773-8080

E-MAIL
info@gptools.com

WEBSITE
www.gptools.com

MODEL 6000 CS COMPRESSION TOOL



HANDCRAFTED
GP TOOLS
 AMERICAN RIVETERS

IDAHO FALLS
 LOCALLY OWNED
 ESTD 1972